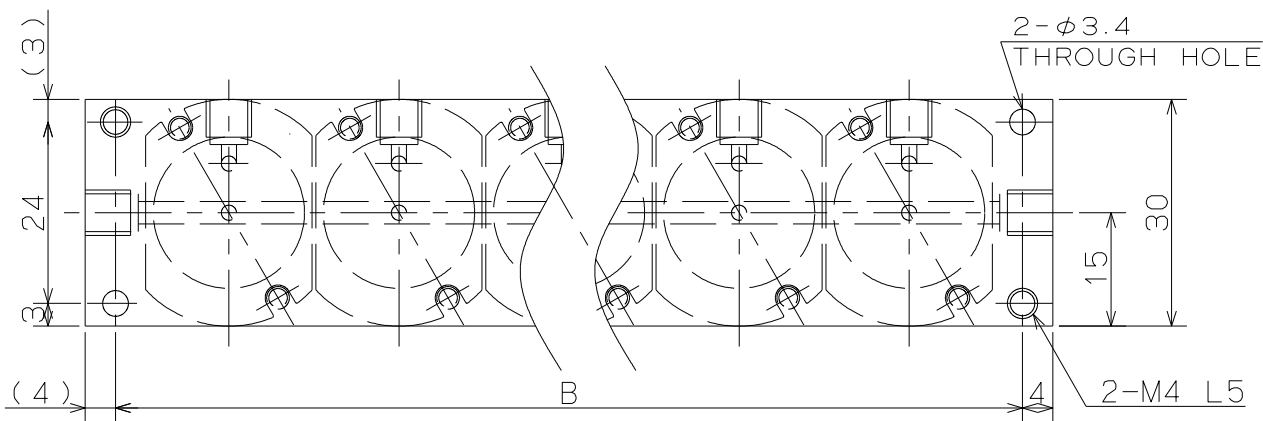
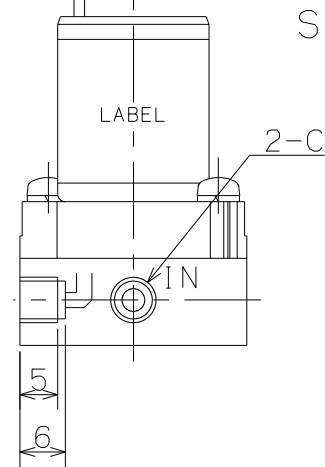
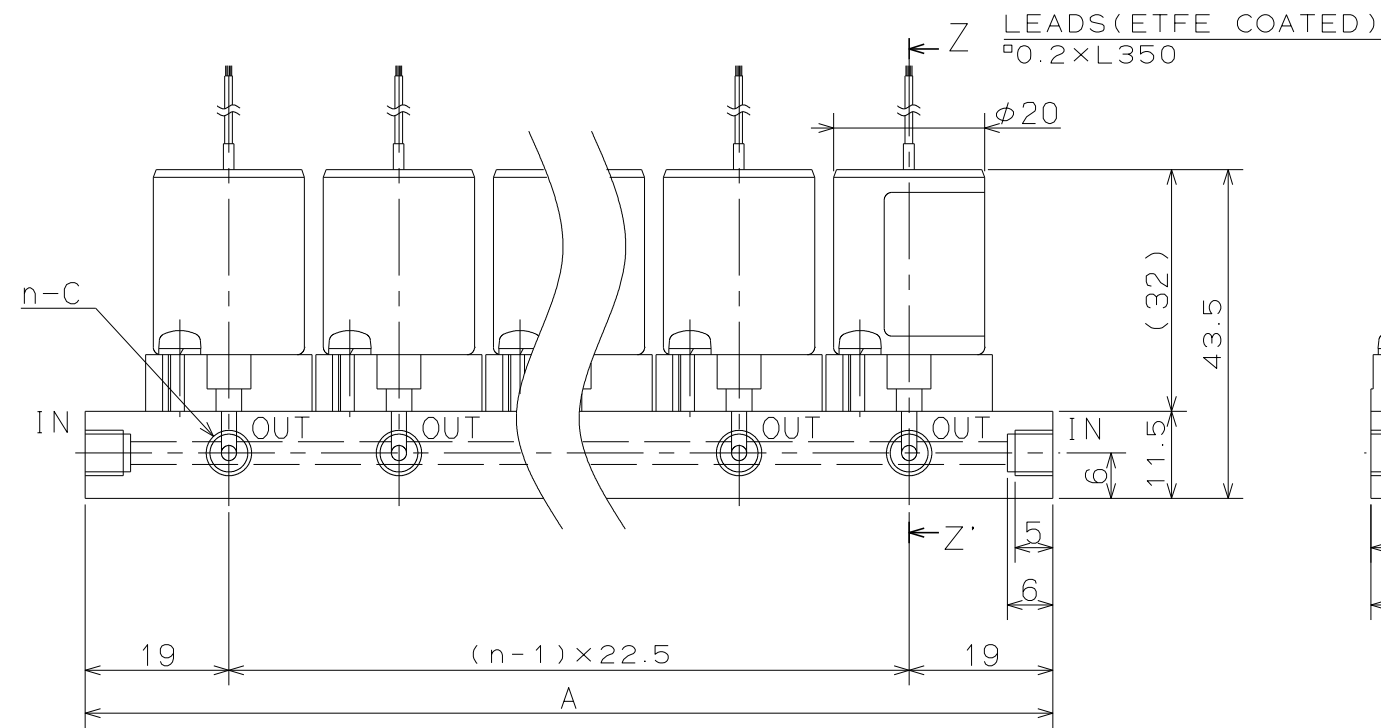


FOR REFERENCE ONLY

# SOLENOID VALVE

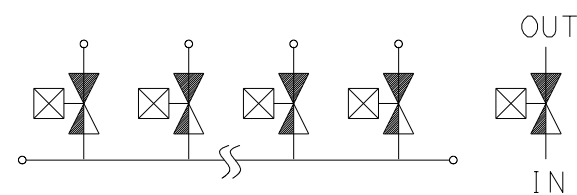
SPECIFICATIONS for MODEL STV-2K-XXIX



- ORIFICE DIAMETER : 1.2mm
- PORT CONNECTION : M6, 1/4-28UNF
- OPERATING PRESSURE RANGE : IN -50 ~ 200kPa  
{-375mmHg ~ 2bar}
- OUT 0 ~ 50kPa  
{0 ~ 0.5bar}
- FLUID MEDIA : FLUIDS CHEMICALLY COMPATIBLE WITH MATERIALS BELOW
- MEDIA TEMPERATURE RANGE : 5 ~ 50°C
- AMBIENT TEMPERATURE RANGE : 5 ~ 50°C
- RATED VOLTAGE : 12VDC, 24VDC
- POWER CONSUMPTION : 2.5W x n
- DUTY CYCLE : CONTINUOUS
- COIL TEMPERATURE INCREASE : MAX. 80°C FROM ROOM TEMPERATURE
- INSULATION CLASS : CLASS B
- DIELECTRIC STRENGTH : 1500VAC FOR 60s

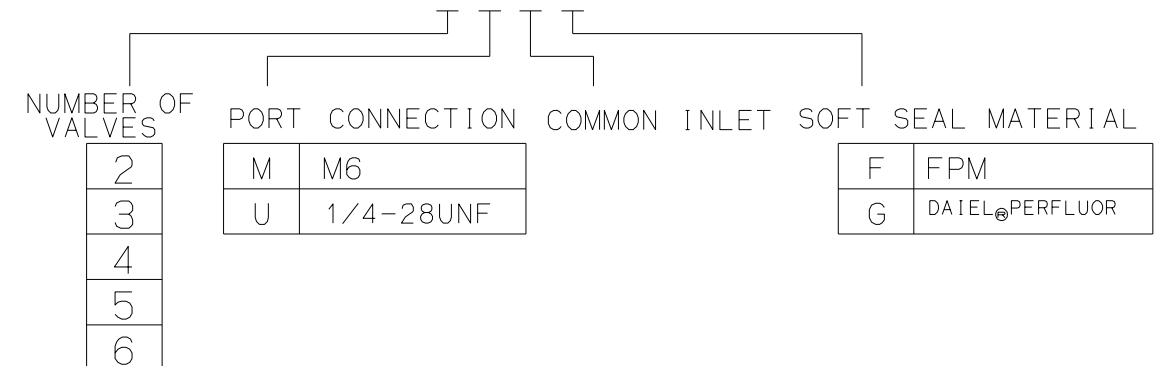
DIMENTION TABLE

n (NUMBER OF VALVES)	DIMENTIONS		
	A	B	C
2	60.5	52.5	M6, 1/4-28UNF
3	83.0	75.0	M6, 1/4-28UNF
4	105.5	97.5	M6, 1/4-28UNF
5	128.0	120.0	M6, 1/4-28UNF
6	150.5	142.5	M6, 1/4-28UNF



FLOW DIAGRAM

STV-2K-xxIx



WETTED MATERIALS

PART NAME	MATERIAL	REQD.	NOTE
DIAPHRAGM	PTFE	n	
SOFT SEAL	FPM/DAIEL@PERFLUOR	n	
VALVE BODY	PEEK	n	
O RING	FPM/DAIEL@PERFLUOR	2n	
MANIFLOD	PEEK	1	
SOLENOID VALVE			
STV-2K-XXIX			