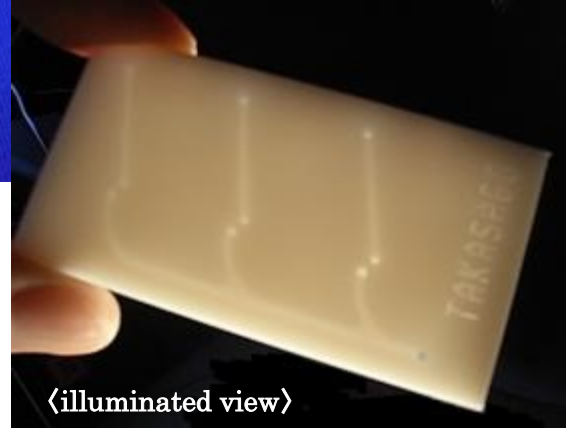
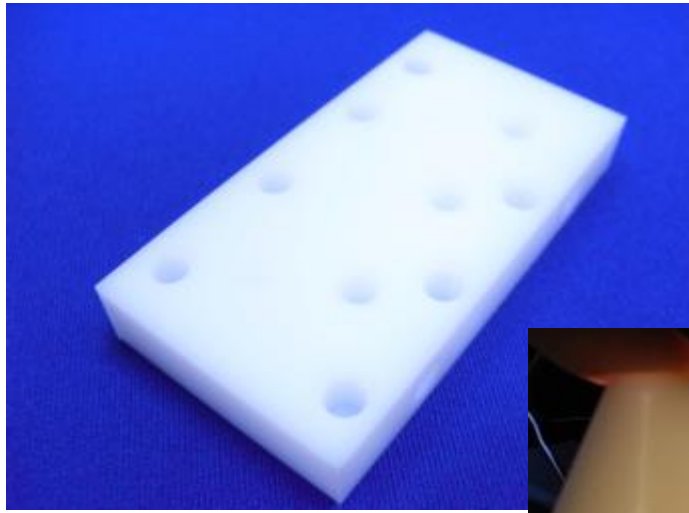
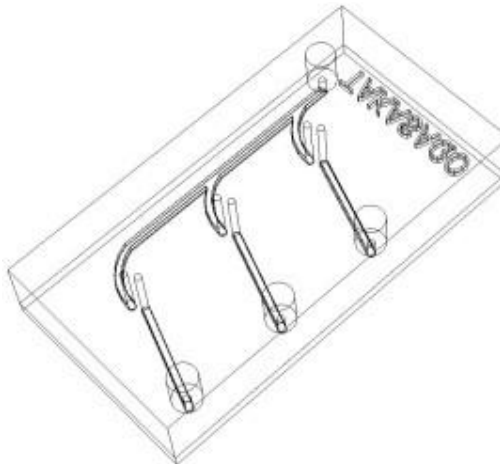


Bonded PTFE Manifold



Features

- This is a 100% PTFE manifold, with internal channels made by the bonding of two layers of modified PTFE. Due to excellent chemical resistance, this product is compatible with a wide range of fluids.
- Highly integrated manifolds with freely curving channels that could not be fabricated through the conventional drilling process are now made available.
- Bonding is achieved through the use of a special technique that does not use adhesive, so the channels are absolutely contamination-free. The bonding method is highly reliable such that the bonding surfaces are unified so well that the point of joining can be hardly distinguished.



A 3D image of a possible internal channel-structure

Note: Specifications etc. may be changed at any time without notice.

Contact for Purchase

TFS (Takasago Fluidic Systems)

1900 West Park Drive, Suite 280, Westborough, MA 01581 U.S.A.

Tel:+508-983-1434 FAX:+508-983-1401

E-mail: info@takasago-fluidics.com URL: <http://www.takasago-fluidics.com/>