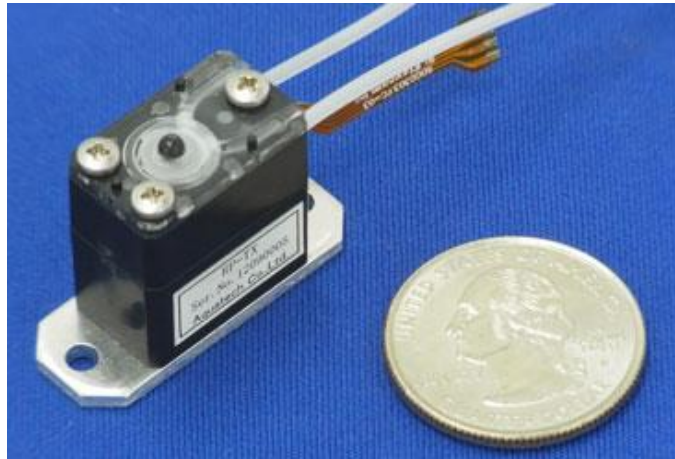


MICRO PERISTALTIC PUMP

RP-TX Series



Pulse Speed Display & Controller

Features

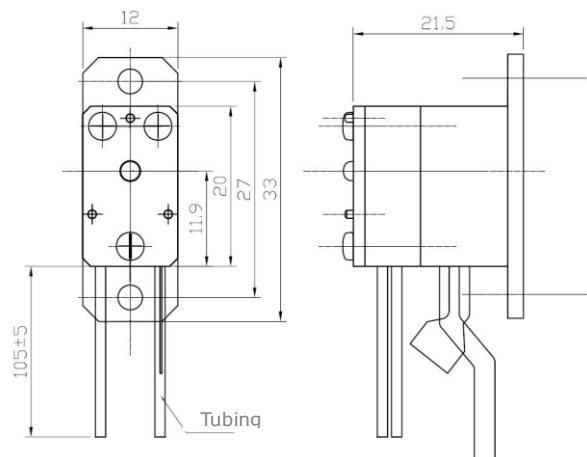
- The world's lowest level of flow for a peristaltic pump on the market: 0.1 ~ 40  $\mu$ l/min
- A replaceable pump head, which includes tubing.
- Compact size: Dimensions of 33 × 12 × 21.5 mm
- An easy-to-use controller is available upon request. (Sold separately)

Specifications

Model number	RP-TXP5S-P04A-DC3VS	RP-TXP5F-P03A-DC3VS
flow rate ※	0.03~40 $\mu$ l/min $\pm$ 20%	0.03~30 $\mu$ l/min $\pm$ 20%
Tubing Material	Silicone	Olefin
Pump pressure	30kPa	You can choose the pressure unit.
Motor	2-phase bipolar type stepping motor	
Tubing Diameter	I.D. 0.5×O.D. 1.5mm	
Rated voltage	DC 3 V	
Power consumption	350mW	
Self-priming	Possible	

※Water at 25 °C, Pulse speed: 1~1000 pps

Dimensions



Note: Specifications etc. may be changed at any time without notice.  
This is a product of Aquatech Co., Ltd.



TAKASAGO ELECTRIC, INC.

66 KAKITSUBATA, NARUMI-CHO, MIDORI-KU, NAGOYA, 458-8522 JAPAN

Tel +81-52-891-2301 Fax+81-52-891-7386

E-mail: info@takasago-elec.co.jp URL: http://www.takasago-fluidics.com/