

# TFS PROPORTIONAL VALVE

## Proportional Diaphragm Valve

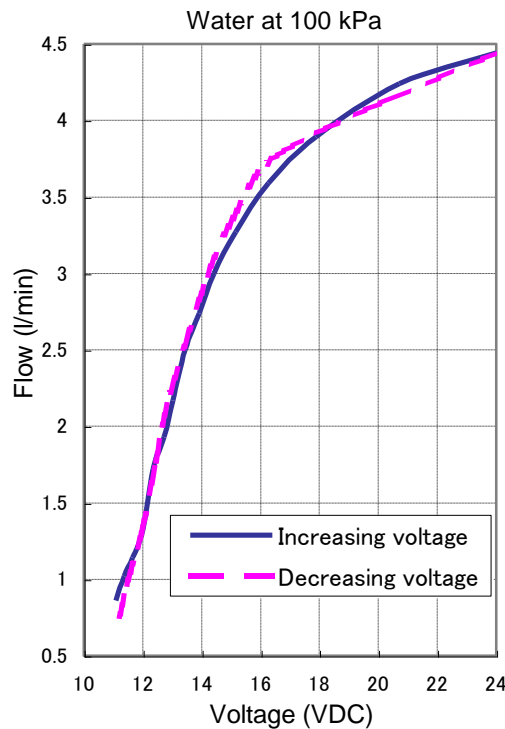
### NPV Series



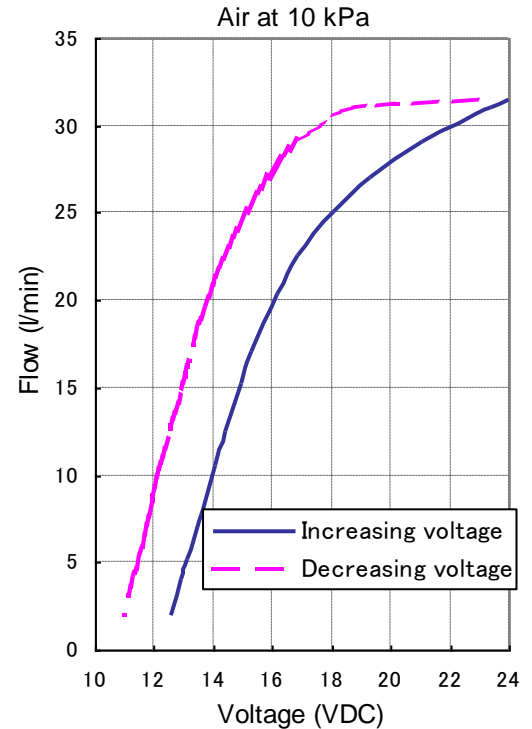
### Features

- Has a very high chemical resistance due to all PTFE wetted parts.
- Flow controllable by changing the input voltage.
- Has a comparatively large orifice diameter of 4mm, which can cover a wide range of flows.

### Flow Characteristics



\* Volume flowing in 1 minute measured by gravimetry



\*Measured by a rotameter

Contact for Purchase

TFS (Takasago Fluidic Systems)

1900 West Park Drive, Suite 280, Westborough, MA 01581 U.S.A.

Tel:+508-983-1434 FAX:+508-983-1401

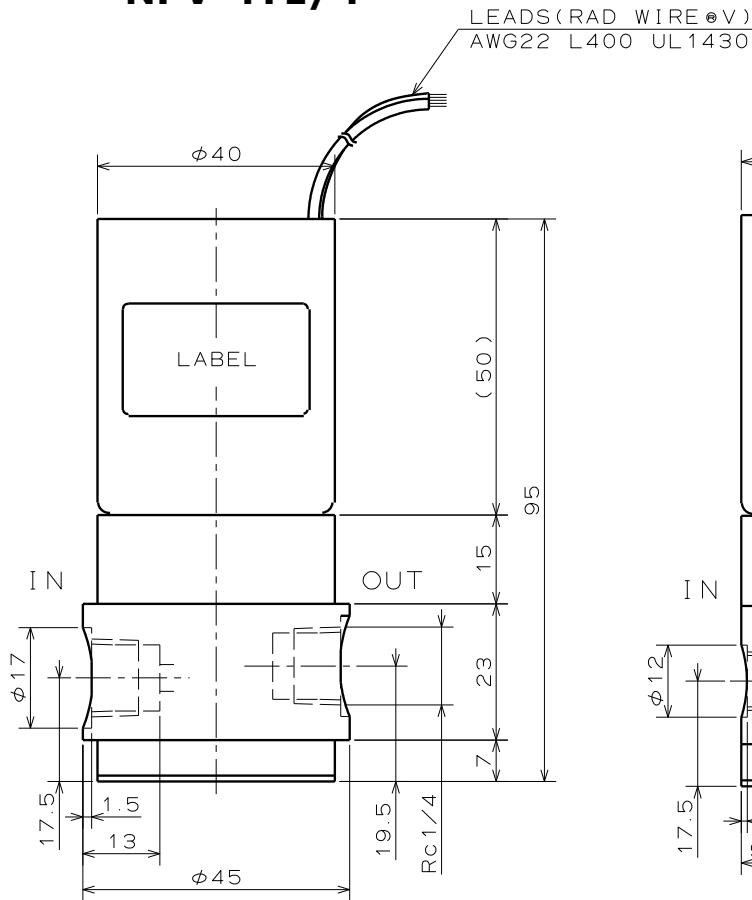
E-mail: info@takasago-fluidics.com URL: <http://www.takasago-fluidics.com/>

# Specifications

Model Number	NPV-4T1/8 (1/4)
Type	N.C. (Normally Closed) Proportional type
Orifice Diameter	4 mm
Wetted Material	PTFE (Valve Body, Diaphragm)
Operating Pressure Range	0 – 100 kPa
Flow Control Range	0 – 30 l/min ( $\Delta P=10$ kPa, Air) 0 – 4 l/min ( $\Delta P=100$ kPa, Water)
Power Consumption	7 W (at 24 VDC)

# Dimensions

## NPV-4T1/4



## NPV-4T1/8

