

PROPORTIONAL VALVE

Proportional Diaphragm Valve

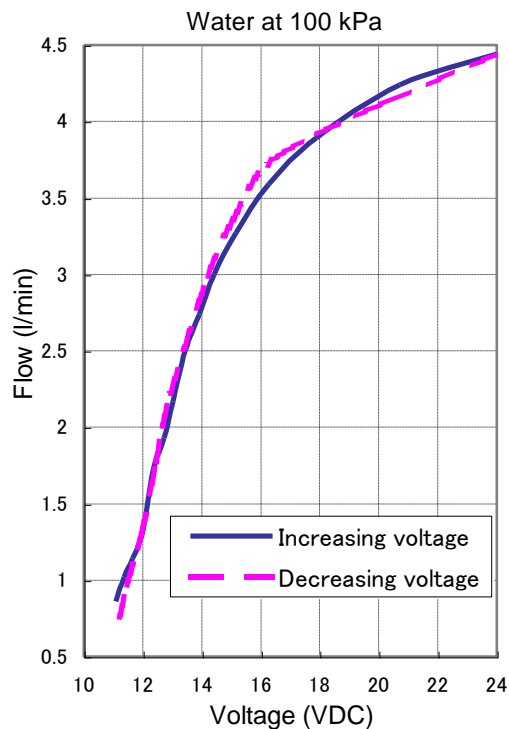
NPV Series



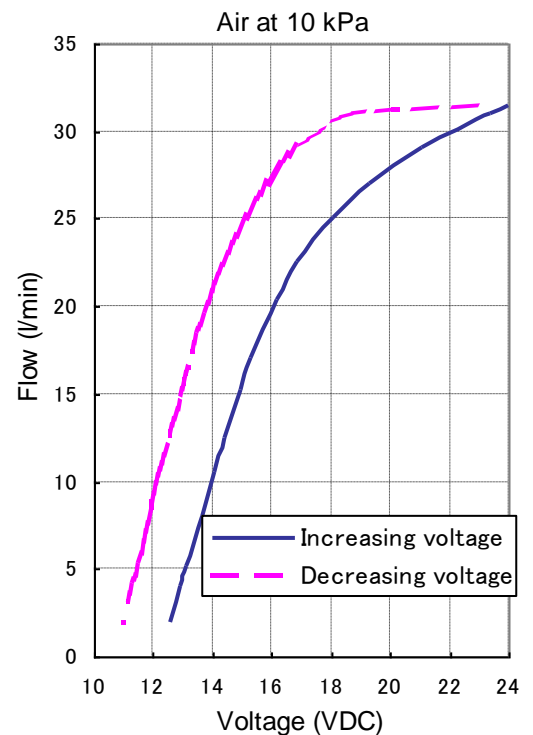
Features

- Has a very high chemical resistance due to all PTFE wetted parts.
- Flow controllable by changing the input voltage.
- Has a comparatively large orifice diameter of 4mm, which can cover a wide range of flows.

Flow Characteristics



* Volume flowing in 1 minute measured by gravimetry



*Measured by a rotameter

TAKASAGO ELECTRIC, INC.

66 KAKITSUBATA, NARUMI-CHO, MIDORI-KU, NAGOYA, 458-8522 JAPAN

Tel +81-52-891-2301 Fax+81-52-891-7386

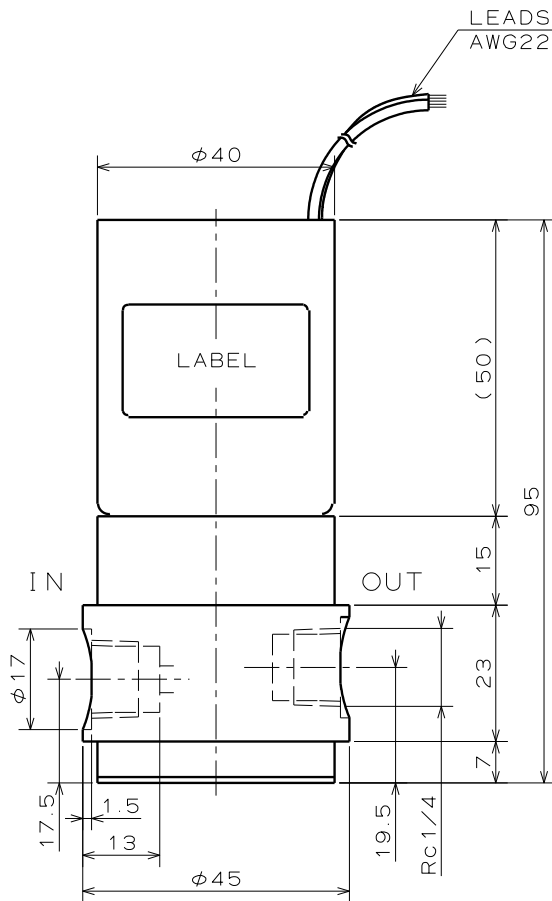
E-mail: info@takasago-elec.co.jp URL: <http://www.takasago-fluidics.com/>

Specifications

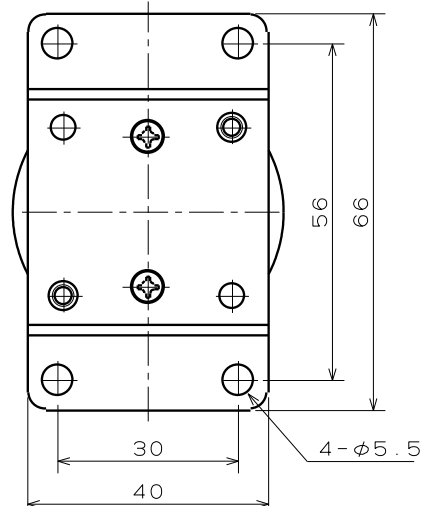
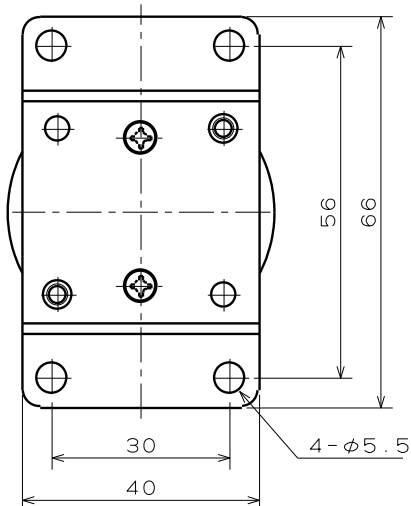
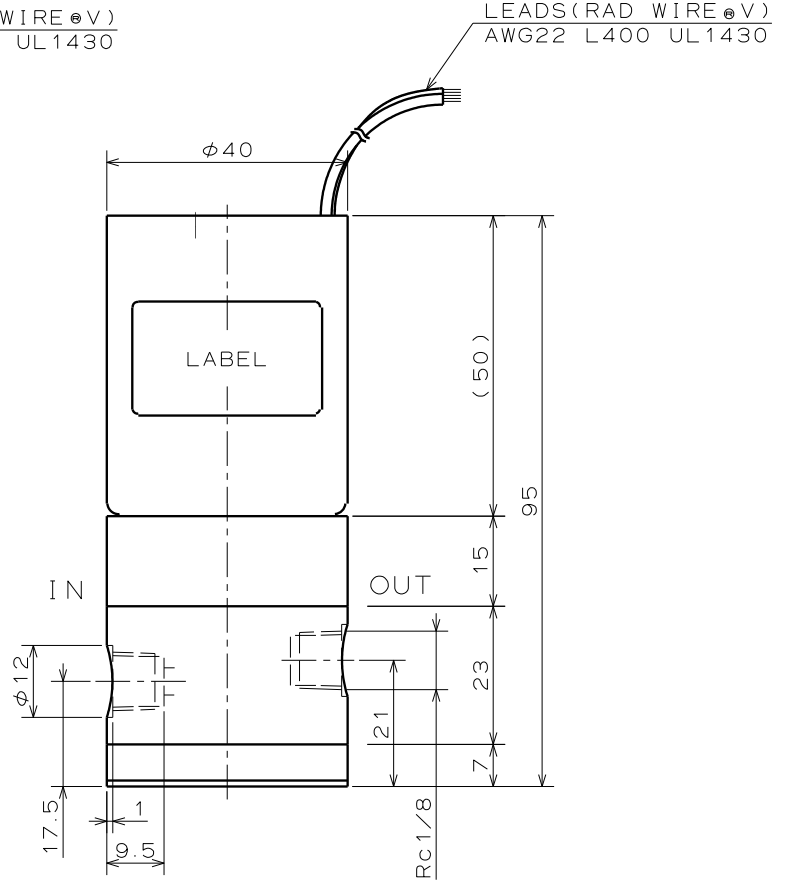
Model Number	NPV-4T1/8 (1/4)
Type	N.C. (Normally Closed) Proportional type
Orifice Diameter	4 mm
Wetted Material	PTFE (Valve Body, Diaphragm)
Operating Pressure Range	0 – 100 kPa
Flow Control Range	0 – 30 l/min ($\Delta P=10$ kPa, Air) 0 – 4 l/min ($\Delta P=100$ kPa, Water)
Power Consumption	7 W (at 24 VDC)

Dimensions

NPV-4T1/4



NPV-4T1/8



Note: Details including specifications may change without notification.