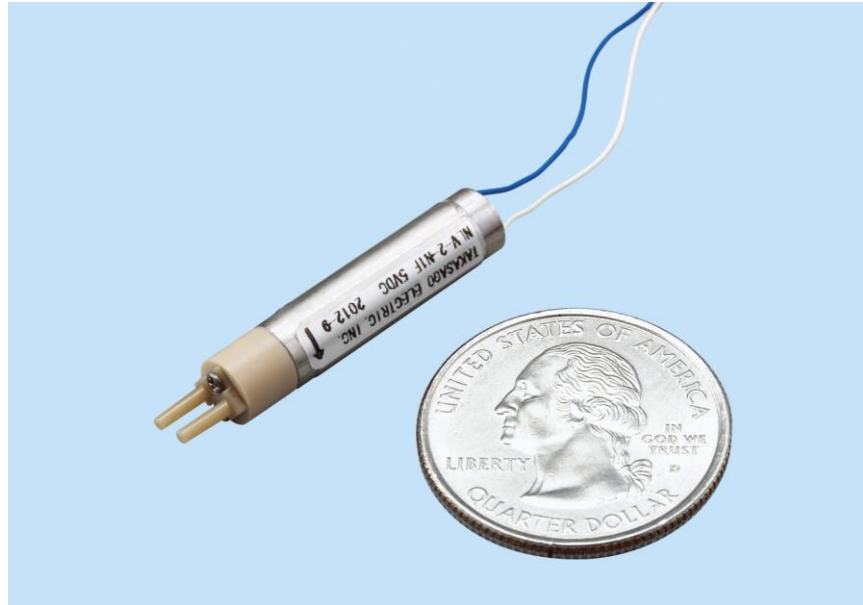


ULTRA-SMALL LATCHING SOLENOID VALVE

NLV Series**Features****1. Outer dimensions: Dia. 5.7 mm x H32.5 mm**

An innovative ultra-small solenoid valve - can be mounted in the smallest of spaces, miniaturising application space and shortening the length of flow paths.

2. Highly chemically inert diaphragm valve

PEEK and Perfluoroelastomer are used for wetted materials. Materials can be changed according to your requirements.

3. Internal volume only 4.3 μ l

Through pursuing miniaturisation to the uttermost, internal volume is now only 4.3 μ l. The internal volume of the valve chamber, which can be a dead volume, comprises only 0.75 μ l of this. This contributes to reductions in reagent/sample quantities and improvements in analysis accuracy.

4. Latching solenoid valve

The open/closed status of valve is maintained by permanent magnetic force. No energisation is required to maintain the valve status. Contributes to energy saving and lower heat generation due to energisation. Power is required while changing the status (Open to Closed, Closed to Open). Also, it is necessary to reverse the current's polarity to change the status.

TAKASAGO ELECTRIC, INC.

66 KAKITSUBATA, NARUMI-CHO, MIDORI-KU, NAGOYA, 458-8522 JAPAN

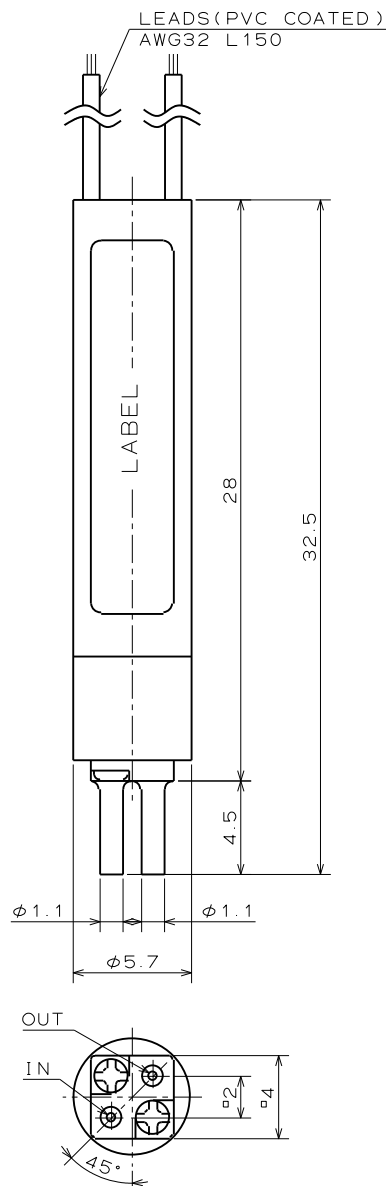
Tel +81-52-891-2301 Fax+81-52-891-7386

E-mail: info@takasago-elec.co.jp URL: <http://www.takasago-fluidics.com/>

Specifications

Model Number	NLV-2-N1G
Type	2-way
Orifice Diameter	0.4 mm
Port Connection	Hose barb
Operating Pressure Range	IN:0 ~ 100 kPa
	OUT:0 ~ 50 kPa
Fluid Temp. Range	10 ~ 50 °C
Ambient Temp. Range	10 ~ 50 °C
Rated Voltage	5 VDC, 12 VDC
Power Consumption	1.5 W (when energised)
Coil Type	Latch Type Solenoid
Insulation Class	Class B
Dielectric Strength	800 VAC 60 seconds
Diaphragm Materials	Perfluoroelastomer (Optionally FPM)
Body/Hose Barb Materials	PEEK (Optionally PPS)

Dimensions



Note: Details including specifications may change without notification.