

Slim Diaphragm-isolated Solenoid Valve

KV Series



1. 6mm Slim Design

This small valve enables you to reduce not only the installation space but also internal pipe length of your manifold by making it possible to mount at 6mm intervals.

2. Capacity for Bilateral Connection

Easy to make manifolds (see page 3)

3. Small Internal Volume

Only 10 micro liters (each port)

4. Excellent Chemical Resistance

PEEK molded body and Perfluoroelastomer diaphragm

TAKASAGO ELECTRIC, INC.

66 KAKITSUBATA, NARUMI-CHO, MIDORI-KU, NAGOYA, 458-8522 JAPAN

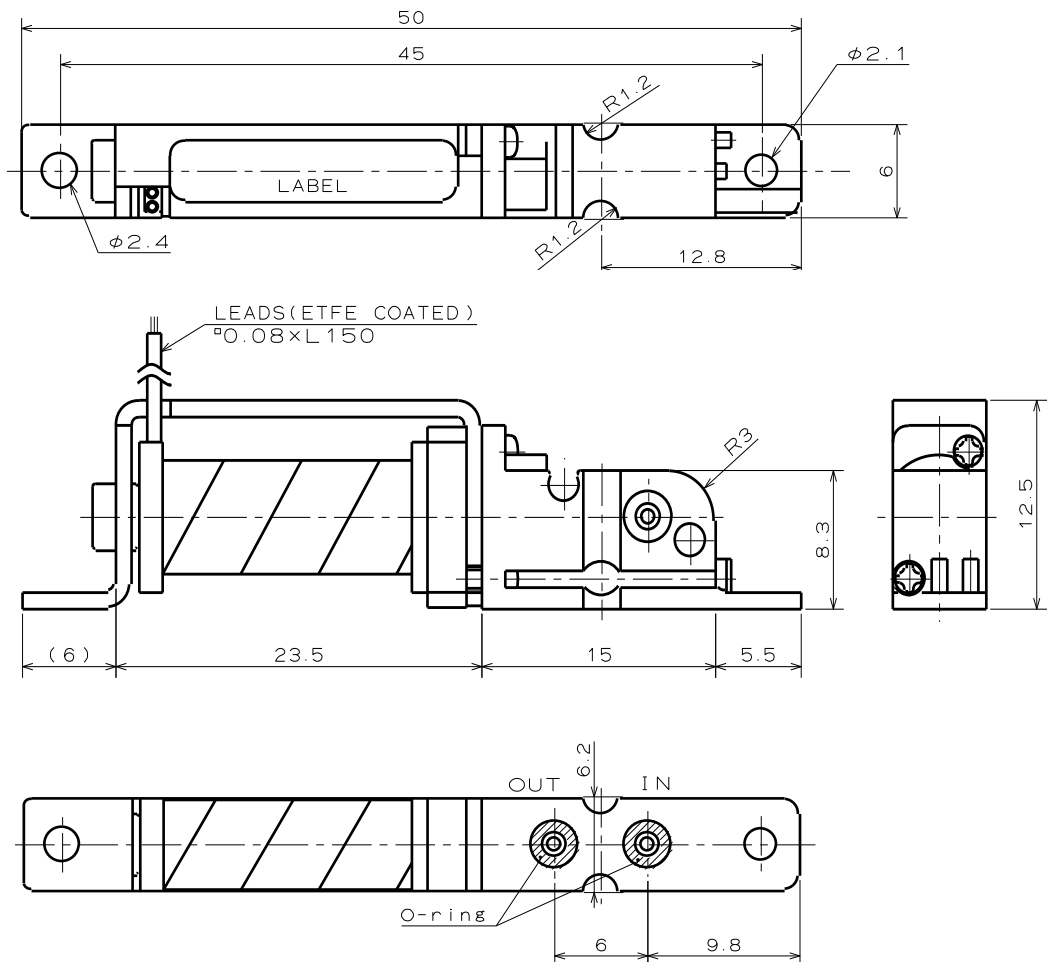
Tel +81-52-891-2301 Fax+81-52-891-7386

E-mail: info@takasago-elec.co.jp URL: <http://www.takasago-fluidics.com>

Specifications

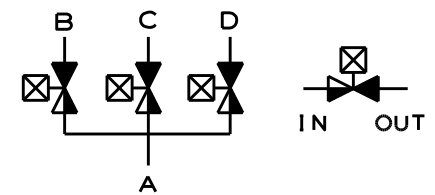
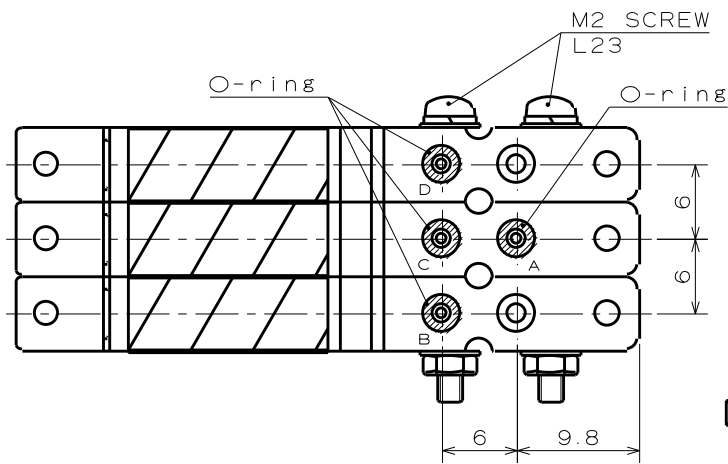
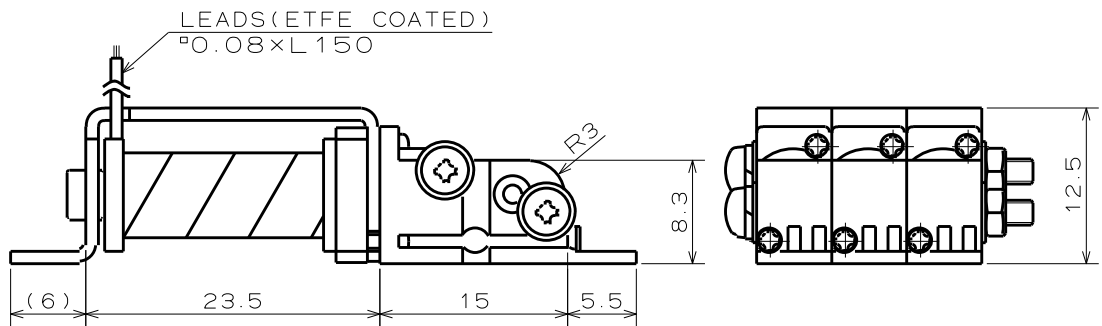
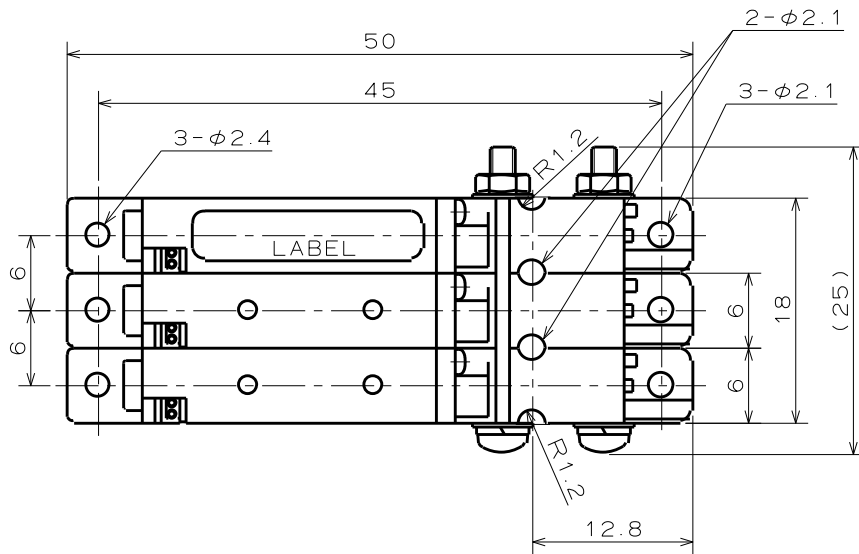
Model Number	KV-2-NCG	
Type	2-way N. C.	
Orifice Diameter	0.8mm	
Port Connection	O-ring Seal	
Operating Pressure Range	IN: 0 - 100kPa OUT: 0 - 50kPa	
Fluid Temp. Range	0 - 50 °C	
Ambient Temp. Range	0 - 40 °C	
Voltage	12VDC, 24VDC	
Power Consumption	1.8W	
Duty Cycle	Continuous Duty	
Coil Temp. Increase	Max. 90 °C From Ambient Temperature	
Internal Volume	Inlet: 10 micro liters Outlet: 10 micro liters	
Insulation Class	Class B	
Dielectric Strength	1500VAC for 60s	
Weight	8g	
Wetted Materials	Diaphragm	Perfluoroelastomer
	O-ring	Perfluoroelastomer
	Body	PEEK (poly ether ether ketone)

Dimensions



Example of Manifold Configuration

3-valve manifold clamped by screws



FLOW PATTERN