

## PIEZOELECTRIC MICRO PUMP

**Highly Inert Models APP Series**

Uses only PTFE, PEEK and Perfluoroelastomer as wetted materials.  
Most suitable for aggressive chemicals, solvents, etc.

**Features**

- Small-sized, lightweight and slim.
- Typical flow is 15 ml/min, which is adjustable by changing drive voltage or drive frequency.
- Low noise and low power consumption.
- Self-priming is possible.

**Specifications**

Model Number	APP-20KG
Pump Type	Piezoelectric Diaphragm Pump
Flow Rate	15 ml/min (typical)
Pump Pressure	25 kPa
Drive Voltage	60 ~ 250 Vp-p
Drive Frequency	10 ~ 60 Hz
Suction Load Pressure	-1.0 kPa
Operating Temperature	5 ~ 50 °C
Wetted Materials	PTFE, PEEK (polyether ether ketone) and Perfluoroelastomer
External Dimensions	33 × 33 × 9 mm
Weight	17 g

Note: Details including specifications may change without notification.

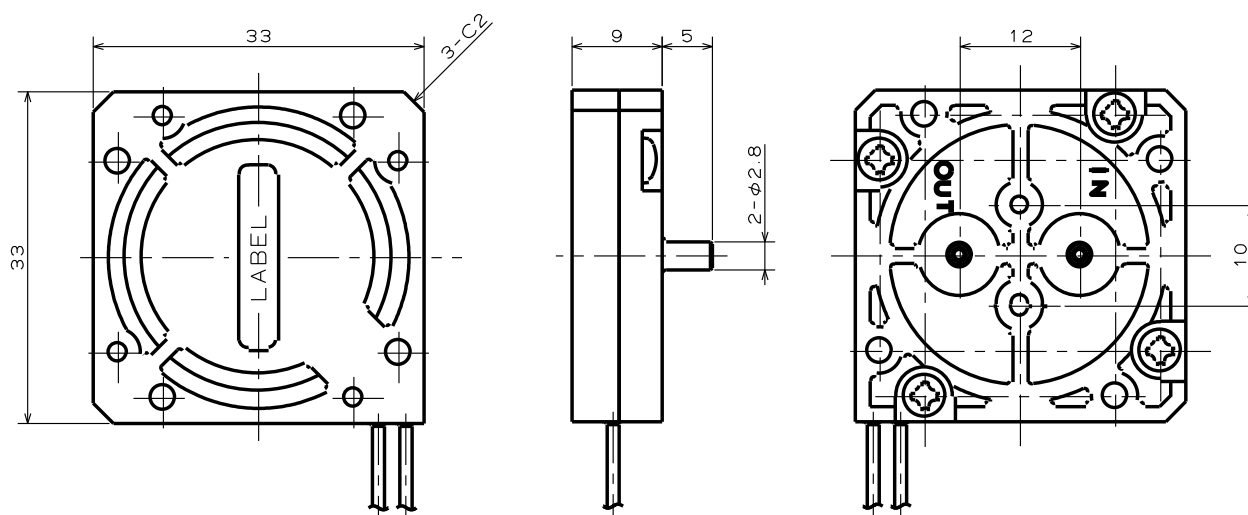
**TAKASAGO ELECTRIC, INC.**

66 KAKITSUBATA, NARUMI-CHO, MIDORI-KU, NAGOYA, 458-8522 JAPAN

Tel +81-52-891-2301 Fax+81-52-891-7386

E-mail: [info@takasago-elec.co.jp](mailto:info@takasago-elec.co.jp) URL: <http://www.takasago-fluidics.com/>

## Appearance and Dimensions



### Driver board MPD-200A

This driver board is a thin, compact and lightweight, yet high-voltage circuit board, designed for the piezoelectric micro pumps. From a regular 5 VDC input voltage, it can easily generate the high voltage supply of approximately 250 Vp-p, 40 Hz necessary for driving the micro pumps.



Item	Specifications
Input Voltage	5 VDC $\pm$ 5%
Output Frequency	1 ~ 60 Hz
Output Voltage	50 ~ 340 Vp-p
Number of Pumps Connectable	2 pieces (maximum)
External Dimensions, Weight	30 x 30 x 18 mm, approx. 9 g

### Controller MPC-200A

This is a compact and lightweight controller that can provide the high voltage power necessary for driving the micro pumps. It is user-friendly with a front panel digital display for configuring the output voltage and output frequency, and a memory function to store the latest setting used.



Item	Specifications
Input Voltage	5 VDC $\pm$ 5%
Output Frequency	1 ~ 60 Hz
Output Voltage	60 ~ 300 Vp-p
Number of Pumps Connectable	2 pieces (maximum)
External Dimensions, Weight	75 x 30 x 89 mm, approx. 140 g
Attachment	AC adapter

### Tygon® tubing (accessory)

Product Name : Tygon® 2375 (for use with methanol, water and most general uses)

Size: I.D. 2.38 mm

\* Note : If the flow decreases with the above tubing, please use the larger size tubing.

\* Tygon® is a trademark of Saint-Gobain Performance Plastics.