

CAPILLARY TUBE FITTINGS CJ Series

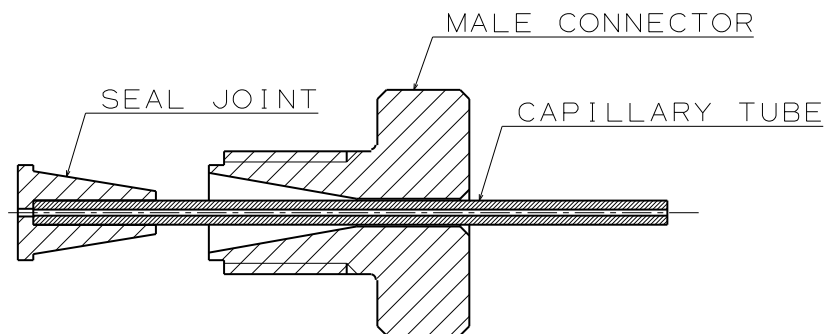


Connects Glass/PEEK Capillary Tubes Easily

Features

- Pressure capability of -90 ~ 700 kPa at temperature range of 5 ~ 60 degrees C.
- Flat bottom seal design that enables easier machining on female port compared to tapered seal design.
- Customization to meet customer's tubing diameters is possible.

How to Connect



*You can connect this fitting to a female port by simply screwing it into the port after a capillary tube is inserted into the seal joint and the male connector.

Standard Models and Applicable Tubing Diameters

Model Number	Tubing Outer Diameter	Tubing Inner Diameter	Seal Joint Inner Diameter	Port Connection
CJM4-0375	0.375 mm	0.1 - 0.15 mm	0.2 mm	M4
CJM6-1/32	1/32 inch (0.79 mm)	0.012 - 0.016 inch (0.3 - 0.4 mm)	0.4 mm	M6

Note: Details including specifications may change without notification.

TAKASAGO ELECTRIC, INC.

66 KAKITSUBATA, NARUMI-CHO, MIDORI-KU, NAGOYA, 458-8522 JAPAN

Tel +81-52-891-2301 Fax+81-52-891-7386

E-mail: info@takasago-elec.co.jp URL: <http://www.takasago-fluidics.com/>