

**TFS** CAPILLARY TUBE FITTINGS

**CJ Series**

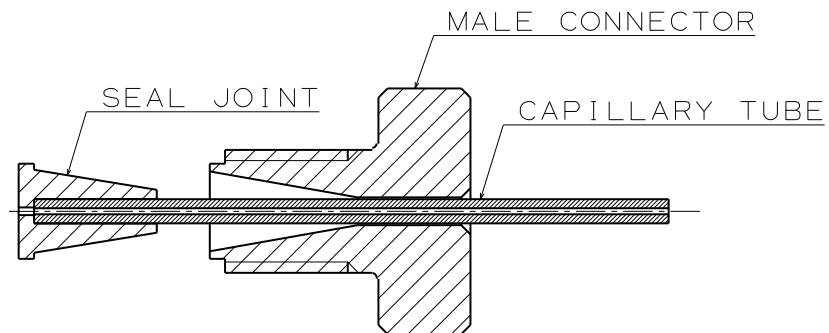


Connects Glass/PEEK Capillary Tubes Easily

**Features**

- Pressure capability of -90 ~ 700 kPa at temperature range of 5 ~ 60 degrees C.
- Flat bottom seal design that enables easier machining on female port compared to tapered seal design.
- Customization to meet customer’s tubing diameters is possible.

**How to Connect**



\*You can connect this fitting to a female port by simply screwing it into the port after a capillary tube is inserted into the seal joint and the male connector.

**Standard Models and Applicable Tubing Diameters**

Model Number	Tubing Outer Diameter	Tubing Inner Diameter	Seal Joint Inner Diameter	Port Connection
CJM4-0375	0.375 mm	0.1 - 0.15 mm	0.2 mm	M4
CJM6-1/32	1/32 inch (0.79 mm)	0.012 - 0.016 inch (0.3 - 0.4 mm)	0.4 mm	M6

Note: Details including specifications may change without notification.

Contact for Purchase

**TFS** (Takasago Fluidic Systems)

1900 West Park Drive, Suite 280, Westborough, MA 01581 U.S.A.

Tel:+508-983-1434 FAX:+508-983-1401

E-mail: info@takasago-fluidics.com URL: http://www.takasago-fluidics.com/