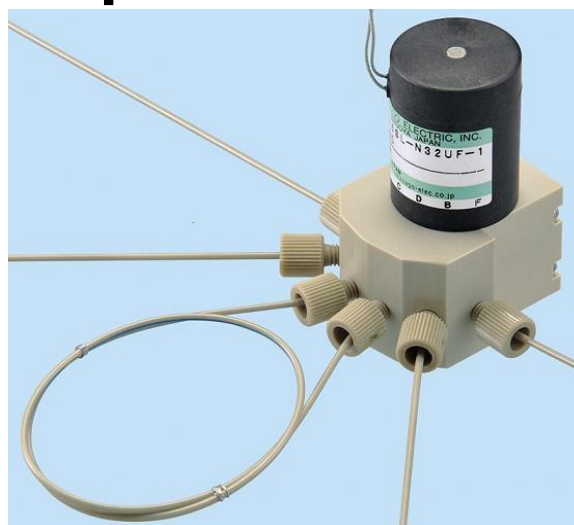


SOLENOID-DRIVEN SHEAR VALVE

2-position 6-port Valve

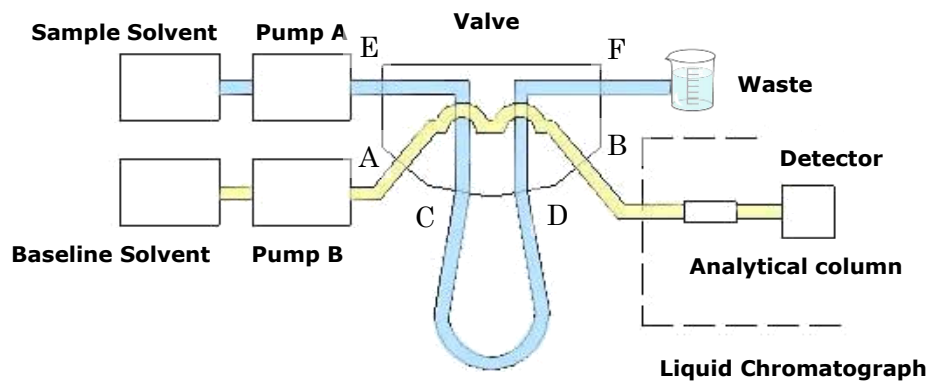


For Sample Injection or Metering in a LC Features

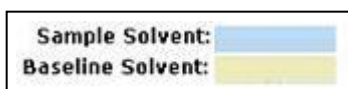
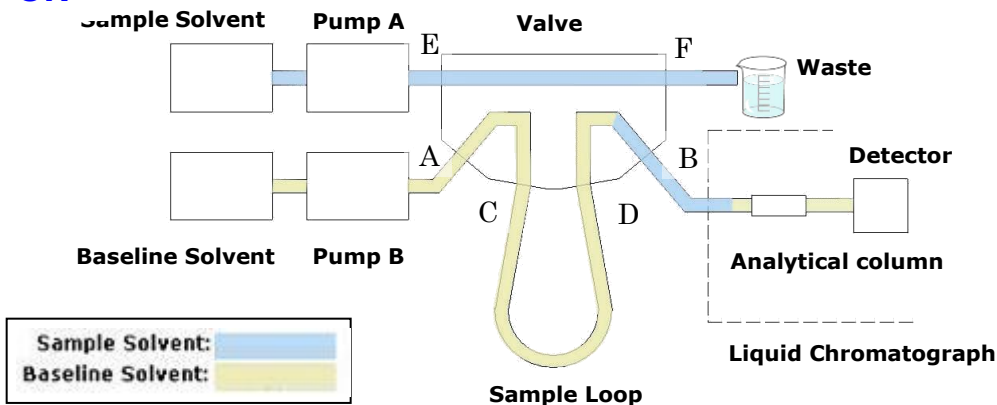
This is the first solenoid-driven linearly-actuating valve that realises the same functions as a motor-driven rotary valve. As it is solenoid-driven, a stepper motor or a driver is not required. It is economical and easy to operate, comparing to the conventional rotary valve.

Example of Connections

OFF



ON



TAKASAGO ELECTRIC, INC.

66 KAKITSUBATA, NARUMI-CHO, MIDORI-KU, NAGOYA, 458-8522 JAPAN

Tel +81-52-891-2301 Fax+81-52-891-7386

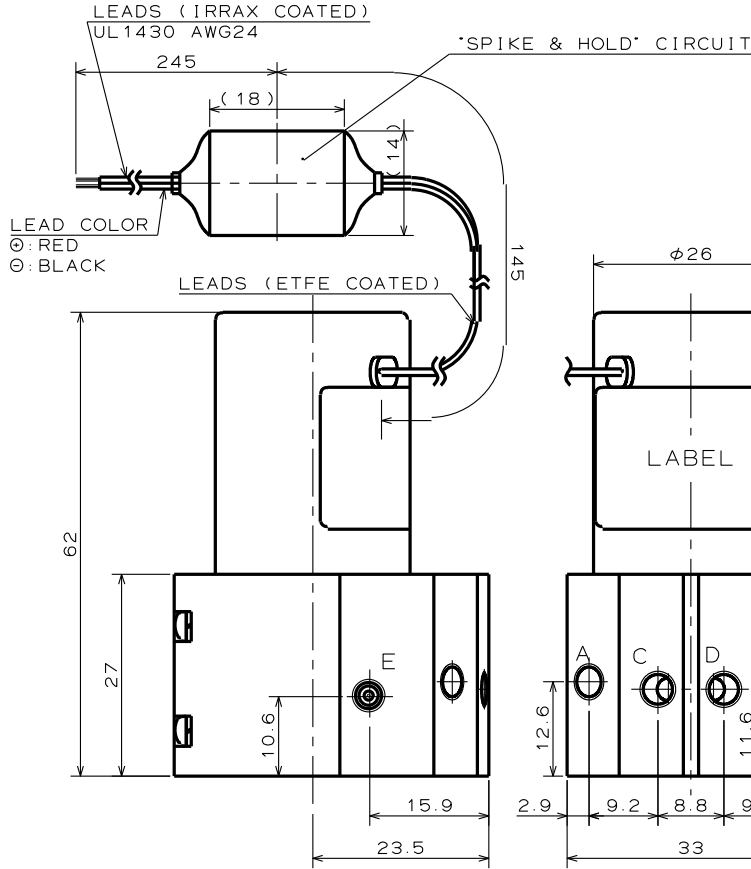
E-mail: info@takasago-elec.co.jp URL: <http://www.takasago-fluidics.com/>

Specifications

Model Number	MTV-6SL-N32UF-1	MLV-6SL-32UFH-1
Orifice Diameter	0.4 mm	
Port Connection	No.10-32UNF	
Operating Pressure Range	0 ~ 500 kPa	0 ~ 2.5 MPa
Fluid Temp. Range	5 ~ 50 °C	
Ambient Temp. Range	5 ~ 50 °C	
Rated Voltage	12VDC, 24VDC	
Power Consumption	23 W (3.6 W holding with power save electronics)	18 W (3 W holding with power save electronics)
Internal Volume	9.0 μl	
Life Expectancy	100 thousand cycles (not guaranteed value)	
Wetted Materials	PTFE, PEEK, SiC (Silicon Carbide)	

* This product carries a circuit that controls the voltage by timer. It is not recommendable to run the ON / OFF cycles at over 0.5 Hz.

Dimensions (MTV-6SL-N32UF-1)



Outer Dimension of MLV-6SL-32UFH-1:
L42 x W33 x H62 mm

